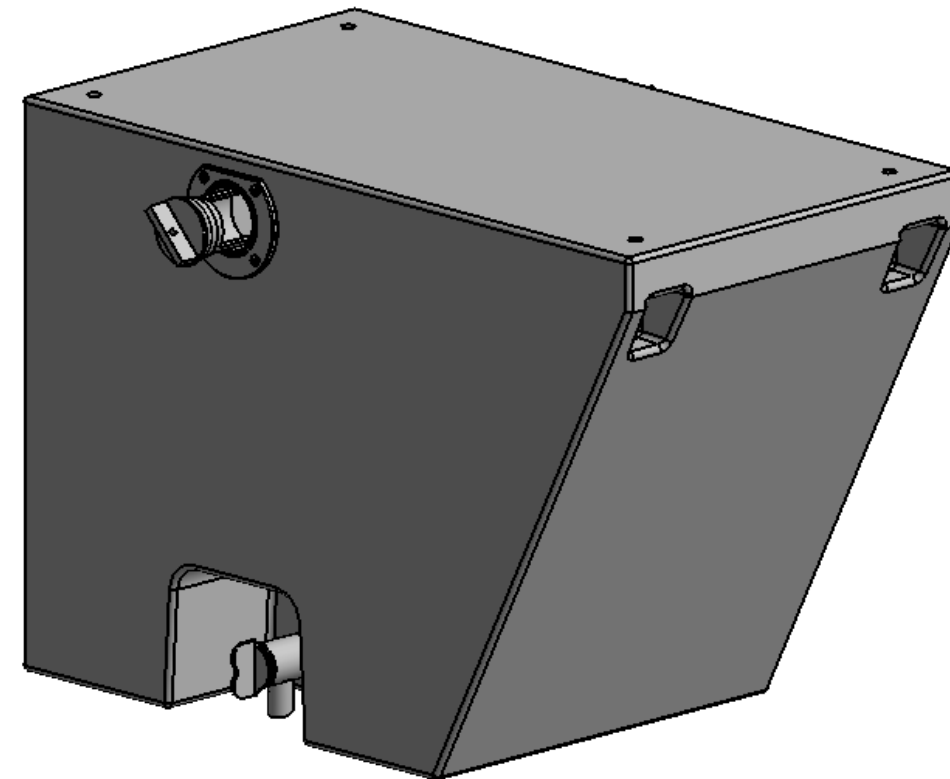
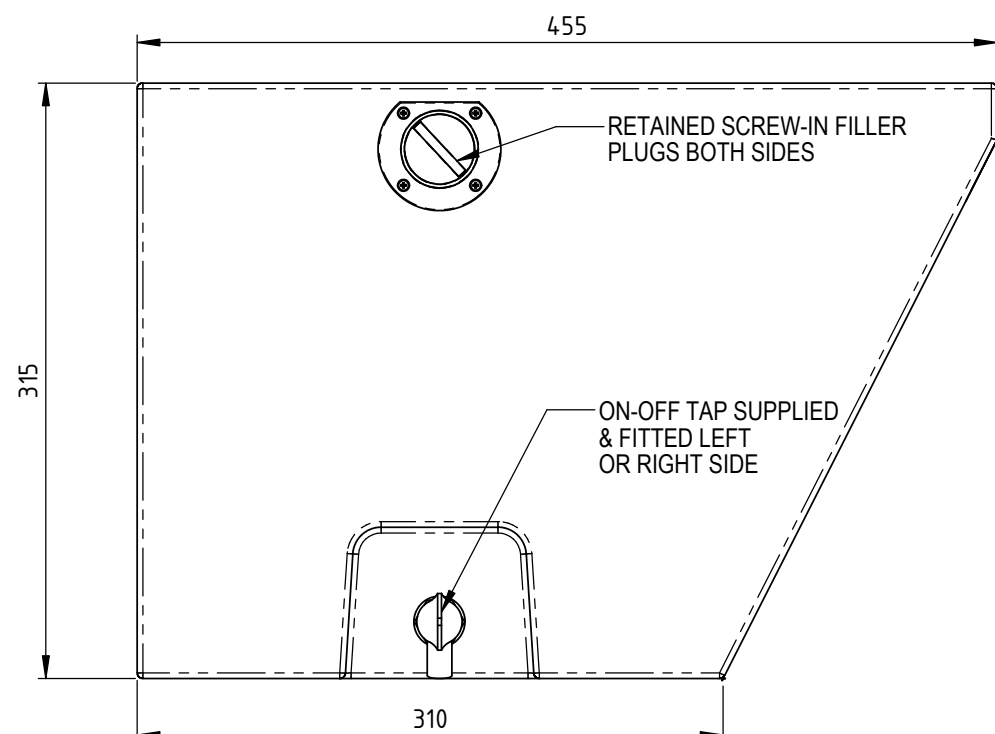


**TOP VIEW**

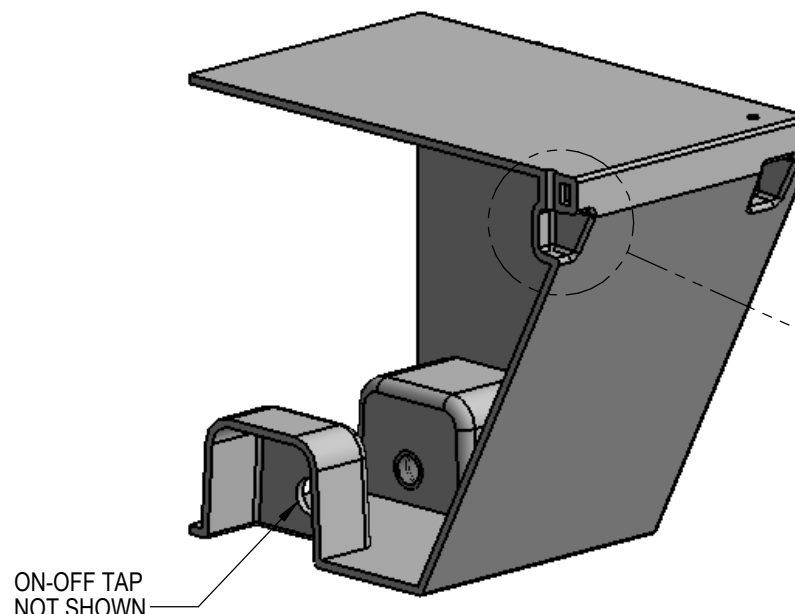
**CAPACITY = 30 LITRES  
 DRY WEIGHT = 4.05 kg  
 MATERIAL = POLYETHYLENE  
 COLOUR = BLACK  
 WALL THICKNESS = 6mm Min.**



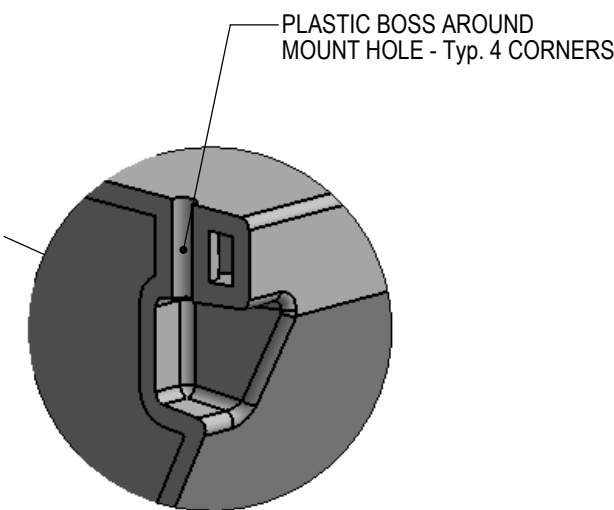
**ISOMETRIC VIEW**



**FRONT VIEW**



**2 WAY SECTION VIEW - TANK BODY**



**DETAIL A  
 SCALE 1 : 2**

References:-

**COPYRIGHT AND REPRODUCTION**  
 Copyright in the drawings information and data recorded hereon and their format and presentation ("data") is the property of 3D CADWORKS and may not be used, copied or reproduced in whole or part for any purpose other than that for which it is supplied by 3D CADWORKS without the prior consent of 3D CADWORKS. 3D CADWORKS is not responsible for any document or part of a document produced containing data unless that document or the relevant part is identical to the document provided herewith ("the accompanying document"). The terms printed on this label are part of the data and the accompanying documents and must be contained or affixed to any reproduction of the data or the accompanying documents.

Sheet Size  
**A3**  
 AS 1100-1993  
 THRD ANGLE PROJECTION

Client: TOOWOOMBA PLASTICS & SHEETMETAL  
 Project:  
 Title: 30 ltr UNDER TRAY TANK - LEFT or RIGHT GENERAL ARRANGEMENT

Date: 11-05-05  
 Scale: 1 : 4  
 Drawn By: B Fowler  
 Designed By: TP&S  
 Checked By: -



3D Cadworks E-Mail - bruce@3dcadworks.com  
 8 Daranlee Court PHONE (07) 4638 0281  
 Toowoomba Qld 4350 Fax (07) 4638 0281

Drawing No. **05015-001-S1-01~CPT~** Rev. --+

REV.	DESCRIPTION	DATE	APPROVED
REVISIONS			
1			
2			
3			
4			
5			
6			